



# Finisher Cover For Hi-Power SPEC-L II


## Installation Manual


This product is an optional Finisher Cover for HKS Hi-Power SPEC-L II.


After you confirm the product application, please read this document in order to use this product safely and to make it fully function. After installation, always have access to a factory service manual for future maintenance.

### Safety Precautions

- The following precautions for use of this product are to prevent possible accidents and/or injuries and for proper use.

 **Warning** ... Indicates risk of serious injury and/or possible death.

 **Caution** ... Indicates risk of damage to people or large-scale damage to property.  
(Large-scale damage is the damage caused by a product defect. ex. Damage to a vehicle, fire, etc.)

 **Advice** ... Indicates an advice for correct product installation.

- This manual describes the precautions you need to follow in order to install this product safely and to prevent danger and damage to customers and third parties.
- HKS is not liable for any damages that customer or third parties may receive from installation and/or use of this product and the accessories.

Please pass this document to a customer.  
(Please keep this manual in a safe place)

# TO CUSTOMER:

## ■ Product Precautions

### Caution

- Do not use this product for any vehicle other than specified in the manual. It may damage the vehicle and lead to an accident.
- Do not disassemble or modify this product.
- Stop using the product if any unusual situation is noticed. Consult with the dealer immediately. Failure to do so may cause damage to a vehicle or lead to an accident.
- Daily maintenance of the vehicle including after the installation of the product, to keep the vehicle properly performing is the responsibility of the owner.
- If due to aging or damage, the vehicle is unable to perform as it was originally intended, perform a vehicle inspection as soon as possible.

## Installation Precautions

### Warning

- To avoid injury, follow the manual instruction during the installation.

### Caution

- To avoid injury, stop the engine and make sure the exhaust system has completely cooled down. Always use protective gear such as glasses when working on the vehicle.

### Advice

- A greasy and dirty exhaust and Finisher Cover will make a correct installation difficult. Clean and wipe the items before starting the installation.
- Please use an authorised professional shop for installation.

## Tools Required For Installation

- Hex Wrench 2.5mm
- Threadlock adhesive (HKS recommends using Loctite Threadlocker 243)
- Heat Gun or Dryer
- Replacement gasket for exhaust

## Parts List (Please verify the contents before the installation)

- Finisher Cover x 1
- Bolt (M4) x 3
- Installation Manual

## Installation Instructions

- (1) Remove an exhaust from a vehicle.
- (2) Remove a currently attached exhaust tail tip from the exhaust.
- (3) The Finisher Cover is attached with bolts using a threadlocker adhesive, use a heat gun to soften threadlocker adhesive, then remove bolts.  
Apply heat ONLY from the inside of the Finisher Cover.
- (4) Slide on an optional Finisher Cover, so that it comes to the correct position.
- (5) Use a threadlocker adhesive with three provided bolts (M4) to fix the optional Finisher Cover. Make sure to keep the tip cover straight and carefully tighten the bolts to a specified torque.  
[ Specified Torque : M4 T= 1.2 N·m (T= 0.12 kgf·m) ]
- (6) If the Finisher Cover is inclined or not fixed straight, untight the bolts slightly, adjust the position and try again.
- (7) Refer to a manual provided with the exhaust and attach the exhaust back to the vehicle.

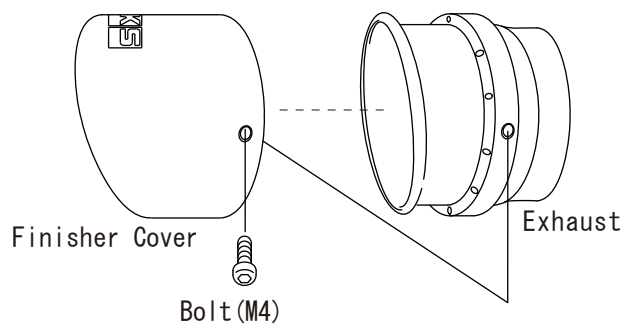
### Caution

- If you apply heat to the outer surface of the Finisher Cover, it may cause color change.
- Applying too much strength may damage the bolts.
- Without a threadlocker adhesive, vibration and heat expansion may cause bolts to untighten and may lead to lost of Finisher Cover.
- For use of threadlocker adhesive please refer to instruction manual of your threadlocker adhesive.

## ■ Parts Application

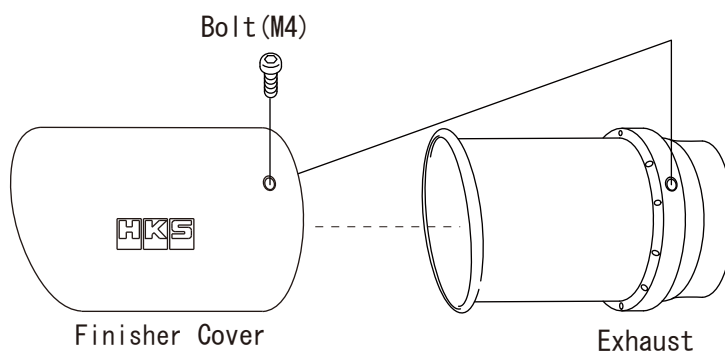
### φ 94 SHORT TYPE

34002-AK010	CARBON TIP
34002-AK013	TITAN TIP
34002-AK016	BLUE-SUS



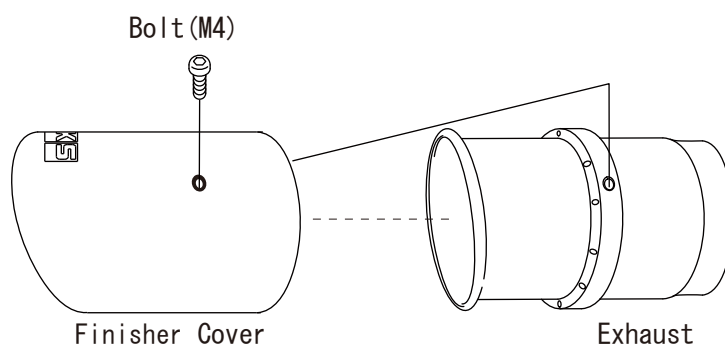
### φ 94 LONG A-TYPE

34002-AK011	CARBON TIP
34002-AK014	TITAN TIP
34002-AK017	BLUE-SUS



### φ 75 A-TYPE

34002-AK019	CARBON TIP
34002-AK020	TITAN TIP
34002-AK021	BLUE-SUS



### φ 94 LONG B-TYPE

34002-AK012	CARBON TIP
34002-AK015	TITAN TIP
34002-AK018	BLUE-SUS



HKS Co., Ltd.

7181 Kitayama, Fujinomiya,  
Shizuoka 418-0192, JAPAN

<http://www.hks-power.co.jp/en/>