

Super SQV Return Kit

Part Number: 71002-AN001

This item is exclusively for P/N 71004-AN015 & 71004-AN023, 71007-AN015 & 71007-AN023, 71008-AN015 (SSQV for Nissan Silvia S14/S15)

Parts List

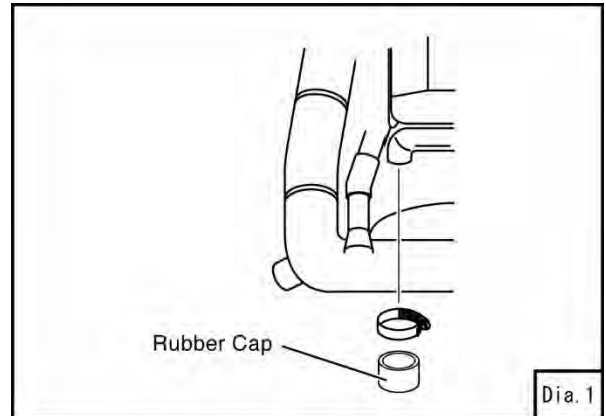
Return Hose	1	Hose Band #16	2
Blow-off Bracket	1	Tie Wrap	5
Installation Manual (Japanese) ...	1	Installation Manual (English) ..	1

※ Manual Number: E04533-N37020-00

Published in November 20, 2020 by HKS Co., Ltd. (Unauthorized reproduction is strictly prohibited.)

Installation of SSQV Return Kit

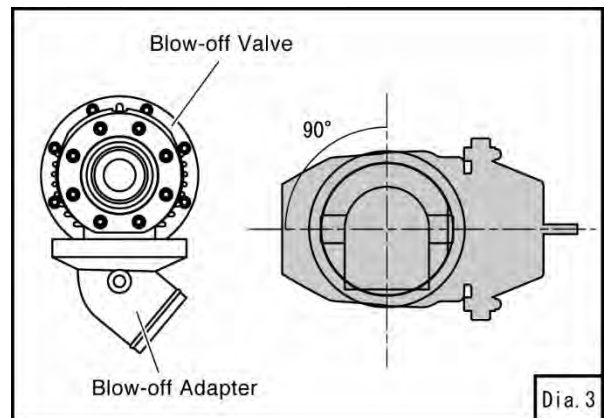
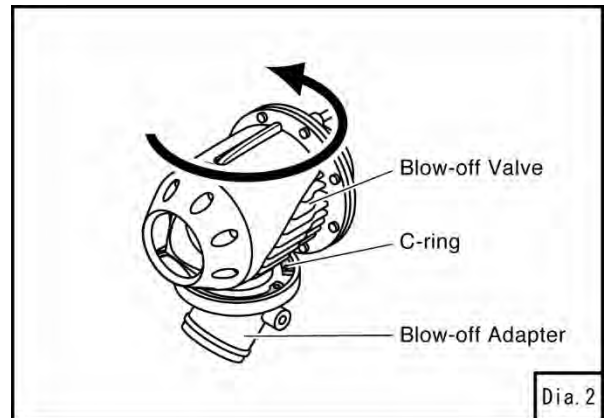
1. Remove the SSQV assembly referring to the SSQV installation manual.
2. Remove the rubber cap that was installed when installing the SSQV kit. (Dia.1)



3. Loosen the C-clip of the SSQV assembly. Rotate the blow-off valve on the blow-off adapter 90°. (Dia.2, Dia.3)

NOTE

The C-clip must be loosened before rotating the valve. Failure to do so may damage the valve.



4. Install the Recirculation Fitting to the SSQV assembly referring to the SSQV installation manual.

5. Install the Blow-off Bracket to the SSQV assembly referring to the SSQV installation manual and Diagram 4. (Dia.4)

For Silvia (S14), use the provided Bracket.

6. Install the SSQV assembly referring to the SSQV installation manual. (Dia.5)

7. Install the provided Return Hose. (Dia.5)

