

# Super SQV Return Kit

Part Number: 71002-AM002

This item is exclusively for P/N 71004-AM011, 71007-AM011, 71008-AM011 (SSQV for Mitsubishi Lancer Evolution 7-9).

## Parts List

Return Hose .....	1	Hose Band #20 .....	2
Joint Pipe .....	1	Sponge Tape .....	2
Installation Manual (Japanese) ..	1	Installation Manual (English) ..	1

※ Manual Number: E04533-M30020-00

Published in November 20, 2020 by HKS Co., Ltd. (Unauthorized reproduction is strictly prohibited.)

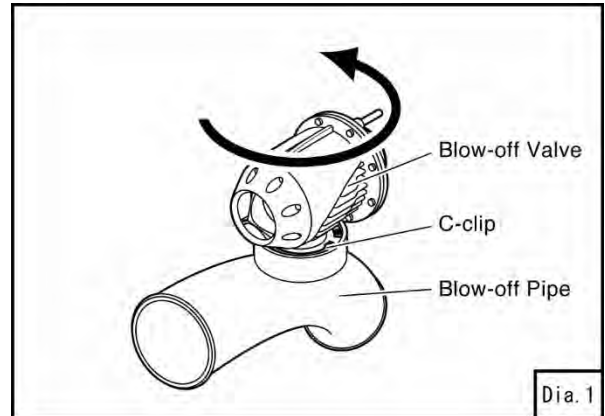
## Installation of SSQV Return Kit

- Loosen the C-clip of the SSQV assembly. Rotate the blow-off valve on the blow-off adapter 180°. (Dia.1, Dia.4)

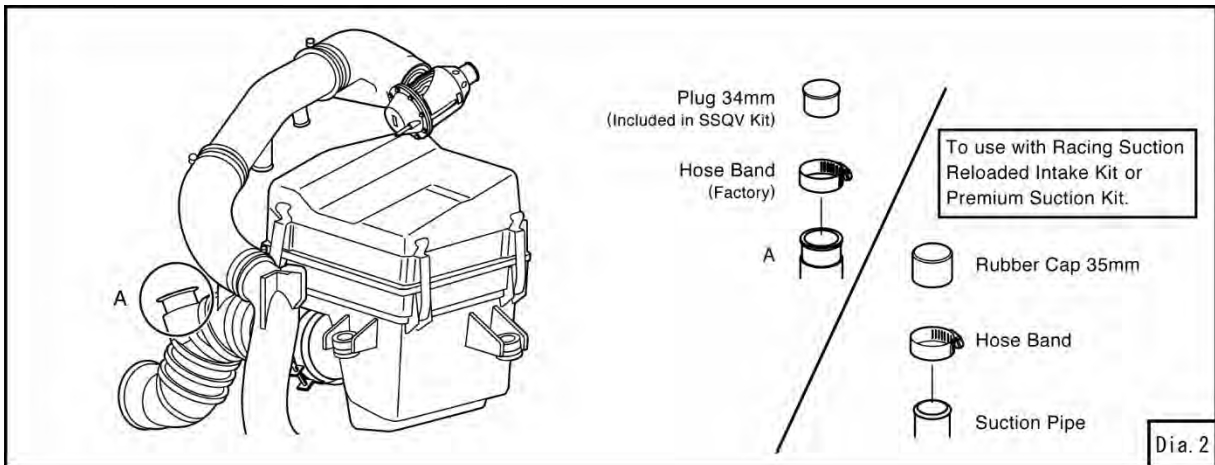
### NOTE

The C-clip must be loosened before rotating the valve. Failure to do so may damage the valve.

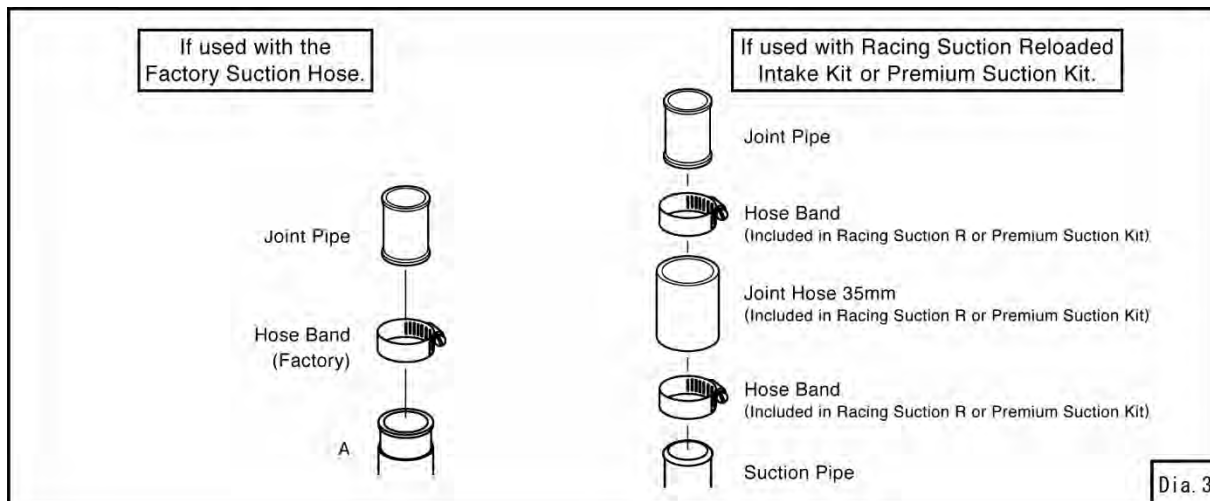
- Install the Recirculation Fitting to the SSQV assembly referring to the SSQV installation manual.



- Remove the plug and rubber cap that were installed to "A" when installing the SSQV kit. (Dia.2)



- Install the joint pipe. (Dia.2, Dia.3)



- Install the provided return hose. (Dia.4, Dia.5)
- If any parts of the kit come in contact with any parts on the vehicle, use the provided sponge tape between these contact points.

