

# Super SQV Return Set

Part Number: 71002-AZ001

This item is exclusively for P/N 71004-AZ008, 71007-AZ008, 71008-AZ008 (SSQV for Mazdaspeed 3).

## Parts List

Return Hose .....	1	Hose Clamp (#16) .....	2
Installation Manual (Japanese) ..	1	Installation Manual (English) ..	1

※ Manual Number: E04533-Z67020-00

Published in November 20 2020 by HKS Co., Ltd. (Unauthorized reproduction is strictly prohibited.)

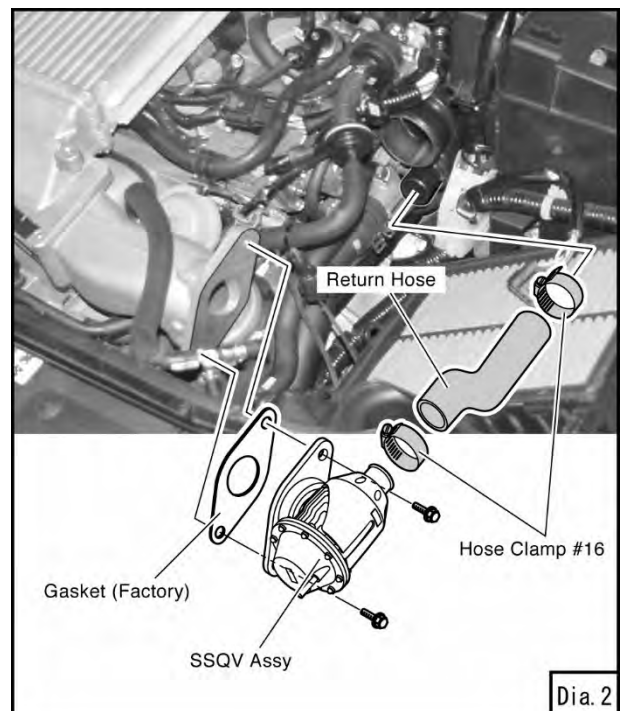
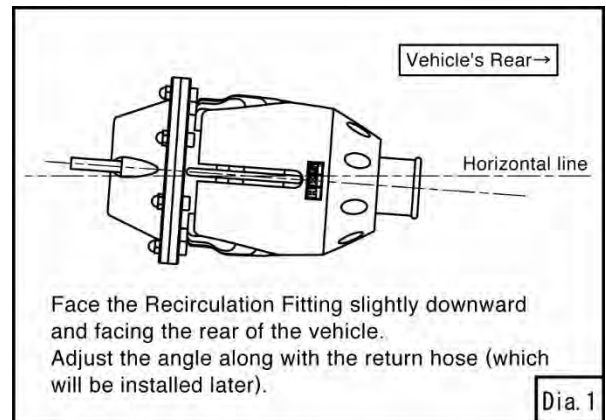
## Installation of SSQV Return Kit

1. Remove the factory intercooler cover and the factory suction hose referring to the SSQV installation manual.
2. Install the Recirculation Fitting to the SSQV assembly referring to the SSQV installation manual.
3. Release the C-clip of the SSQV assembly. Rotate and adjust the angle of the SSQV on the SSQV adapter. (Dia.1)

### NOTE

The C-clip must be loosened before rotating the valve. Failure to do so may damage the valve.

4. Install the SSQV assembly referring to the SSQV installation manual. (Dia.2 ,Dia.3)



5. Re-install the factory intercooler cover and the factory suction hose.

